

FIELD LED 600

TOUGH. SIMPLE.
EFFICIENT.



GLARE-FREE



BROADCAST
QUALITY



NO PLASTIC
LENSES



OPTIMAL
THERMAL DESIGN



ADVANCED
INTELLIGENCE





KEY FEATURES

- 550W LED illumination
- 67,000+ lumens delivered
- No plastics used in the light path
- Glare-reducing, patented single glass optic for even field lighting
- High 90+ CRI color fidelity option
- Built-in over temperature protection
- IP-66 weather-tight housing & system
- Patented cooling ensures years of uninterrupted service
- 100,000+ hour rated LEDs
- IP-67 proprietary power supply with surge protection

SPORTSBEAMS

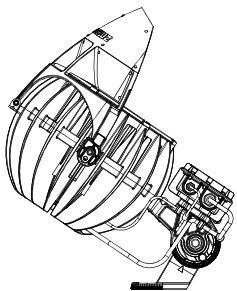
FIELD LED 600

MONO LED Sports Lighting Fixture

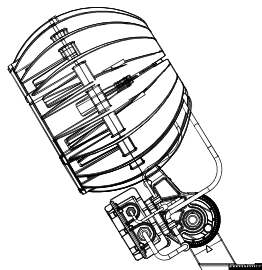
TYPICAL INSTALLATIONS

- Municipal Sports Fields
- High Mast
- Convention Center Halls
- Gymnasiums and Auditoriums
- Stadium Egress Lighting
- Building Wall Washes

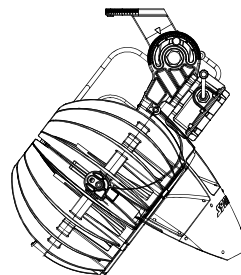
MOUNTING OPTIONS



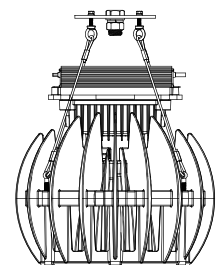
TOP MOUNT UP



TOP MOUNT DOWN

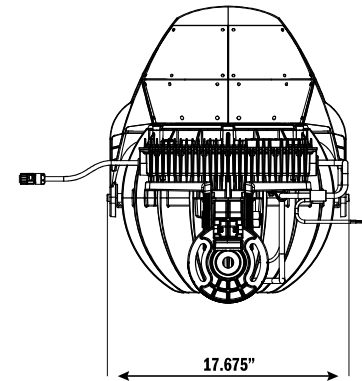
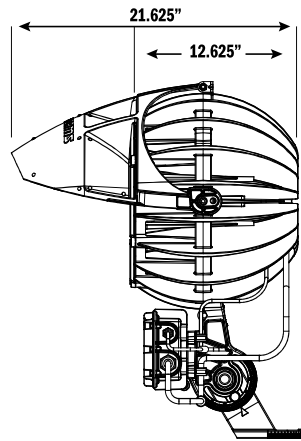
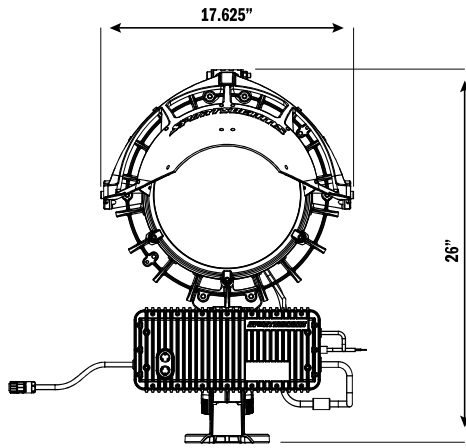


UNDERSLUNG



PENDANT MOUNT

DIMENSIONS



TECHNICAL SPECIFICATIONS¹

LIGHT & OPTICS

LUMEN OUTPUT RANGE	53,173 ~ 67,300
LUMEN-TO-WATT RANGE	105 ~ 128 lm/W
CRI/TLCI OPTIONS ²	75/75 90/85
CCT OPTIONS	2200K ~ 6000K
NEMA OPTIONS	4/5/6/7

ELECTRICAL

SYSTEM POWER	550W
FREQUENCY RANGE ³	47~63 Hz
INPUT VOLTAGE (LOW VOLTAGE)	176V ~ 305V
INPUT VOLTAGE (HIGH VOLTAGE)	277V ~ 500V
OUTPUT DC VOLTAGE	48V
OUTPUT CURRENT RANGE	10.8A MAX
POWER FACTOR	92% @ 277V
THD	<15%
INPUT CURRENT	2A @ 277V
ELECTRICAL CERTIFICATIONS	FCC, CE, ETL, IK08, CB, KC, UL 924
SURGE PROTECTION	L-N 5.5kV ~ L-PE 11kV
OVER TEMPERATURE PROTECTION	AUTOMATIC RECOVERY
OVER VOLTAGE PROTECTION	RECOVERY AFTER POWER CYCLE
OVER LOAD PROTECTION	AUTOMATIC RECOVERY

CONSTRUCTION

OPERATING TEMPERATURE RANGE	-40°C to +40°C
USAGE ENVIRONMENTS	INDOOR, OUTDOOR
MOUNTING OPTIONS	PEDESTAL, PENDANT
ENVIRONMENTAL CERTIFICATIONS	ROHS, FCC, SALT SPRAY (MIL-STD-810)
VIBRATION	ANSI C136.31-2010 3G
EFFECTIVE PROJECTED AREA (EPA)	.82 with visor .91 without visor
APPROXIMATE WEIGHT ⁴	47lbs

NOTES

(1) Specifications are subject to change without notice
 (2) Values are +/- 5%

(3) Values are +/- 4% when fixture is operated at 25°C ambient
 (4) Weight may vary depending on mounting bracket

LUMEN CHART

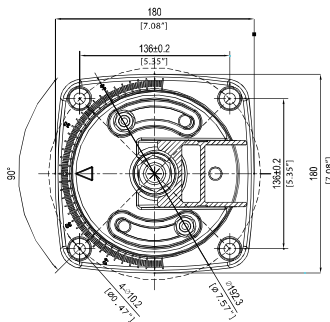
NEMA	NATIVE TEMP	CRI	LUMENS
MONO			
4	5700K	75	67334
5	5700K	75	66973
6	5700K	75	61963
7	5700K	75	55897

ORDERING MATRIX

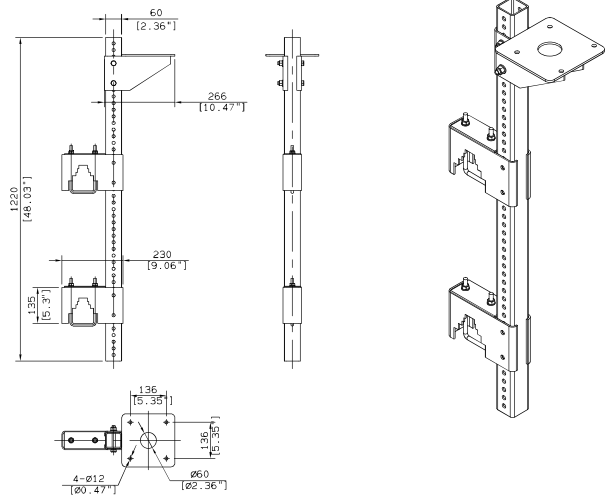
BRAND	FAMILY	MODEL	NEMA TYPE	NATIVE CCT	CRI	INPUT VOLTAGE	MOUNT	FINISH
S	600	M	4	5700	80	L	S	G
		M = MONO	4 = 4H x 4V	3000 = 3000K	75 = 75CRI	L = 176V - 305V	S = Standard	G = Gray
			5 = 5H x 5V	4000 = 4000K	90 = 90CRI	H = 249V - 528V	P = Pendant	BK = Black
			6 = 6H x 6V	5000 = 5000K				
			7 = 7H x 7V	5700 = 5700K				

MOST COMMON SKU
S600-M-4-5700-75-L-S-G

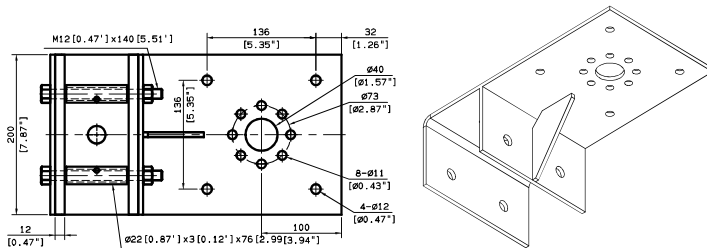
FIXTURE BASE



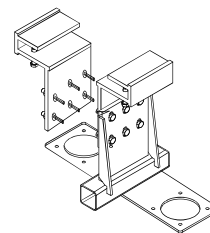
CATWALK MOUNT



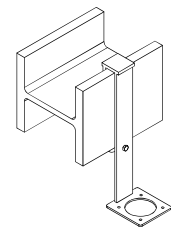
RETROFIT CROSS ARM CLAMP



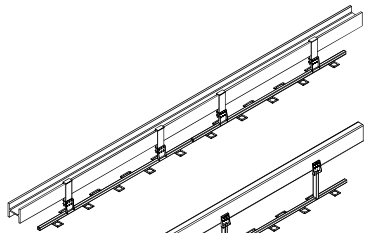
STANDARD I-BEAM MOUNT



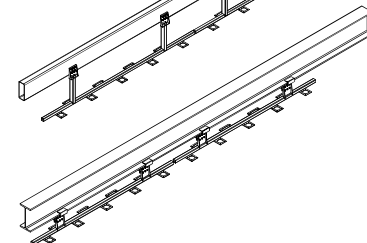
HORIZONTAL I-BEAM MOUNT



HORIZONTAL I-BEAM MOUNT



RECTANGULAR BEAM MOUNT



I-BEAM MOUNT

3-FIXTURE CROSS ARM FOR POLE

