

# FOR THE CONTRACTOR



**TABLE OF CONTENTS**

|                                       |              |
|---------------------------------------|--------------|
| <b>INTRODUCTION</b>                   | <b>1</b>     |
| <b>SAFETY WARNINGS</b>                | <b>2</b>     |
| <b>SITE POWER DISTRIBUTION</b>        | <b>3</b>     |
| <b>ELECTRICAL REQUIREMENTS</b>        | <b>4 - 5</b> |
| <b>WIRING DIAGRAMS</b>                | <b>6</b>     |
| <b>INSTALLATION</b>                   |              |
| <b>Installing the Poles</b>           | <b>7 - 8</b> |
| <b>Attaching the Fixture</b>          | <b>9</b>     |
| <b>Pre-aiming the Fixture</b>         | <b>10</b>    |
| <b>Powering the Fixture</b>           | <b>11</b>    |
| <b>Connecting the Fixture</b>         | <b>12</b>    |
| <b>Connecting the Crossarm</b>        | <b>13</b>    |
| <b>Strain Relief Mounting</b>         | <b>14</b>    |
| <b>Testing the Connections</b>        | <b>15</b>    |
| <b>Control System Overview</b>        | <b>16</b>    |
| <b>Indoor Control Topography</b>      | <b>17</b>    |
| <b>Outdoor Control Topography</b>     | <b>18</b>    |
| <b>Power Distribution Control Box</b> | <b>19</b>    |
| <b>Incoming/Outgoing Connections</b>  | <b>20</b>    |
| <b>DMX Connections</b>                | <b>21-22</b> |
| <b>DMX Profile Chart</b>              | <b>23</b>    |
| <b>STANDARD SCOPE OF WORK</b>         | <b>24</b>    |
| <b>CARE &amp; MAINTENANCE</b>         | <b>25</b>    |
| <b>TROUBLESHOOTING &amp; SUPPORT</b>  | <b>26</b>    |
| <b>STANDARD PAYMENT TERMS</b>         | <b>27-28</b> |

## INTRODUCTION TO SPORTSBEAMS

Thank you for choosing Sportsbeams –The finest sports lighting fixtures available.

We designed our fixtures for easy installation and usage. Please read this manual thoroughly before attempting installation and operation.

## SERVICE AND SUPPORT

We know that each installation is unique and can present challenges that are not addressed in this general manual. We have trained personnel available to provide advice and support. If you have any questions, please contact us at:

[WWW.SPORTSBEAMS.COM](http://WWW.SPORTSBEAMS.COM)

1.888.905.6680

For installation videos, diagrams, questions and more information, please go to:

[www.sportsbeams.com/installation.html](http://www.sportsbeams.com/installation.html)

Sportsbeams® is a registered trademark of Sportsbeams Lighting, Inc.

**MODELS:** SB350-S600-S900-S1500-B-C-D-E  
**INPUT:** 176 ~ 305VAC (480V OPT)

Designed by Sportsbeams. Made in China.

Visit [www.sportsbeams.com](http://www.sportsbeams.com) for more information about this and other quality Sportsbeams products.

Sportsbeams.com ©2023 Sportsbeams, Inc.

Sportsbeams fixtures are certified to be in compliance with many of the the following safety directives:



SUITABLE FOR WET LOCATIONS CONVIENT AUX EMPLACEMENTS MOUILLÉS

**WARNING - RISK OF FIRE OR ELECTRIC SHOCK**

This device complies with part 15 of the FCC Rules. Operation is subject to the following two conditions: (1) This device may not cause harmful interference, and (2) this device must accept any interference received, including interference that may cause undesired operation.

Please visit [www.sportsbeams.com](http://www.sportsbeams.com) for a complete listing of certifications for each fixture.

## MODEL NOMENCLATURE

| A     | B        | C    | D   |
|-------|----------|------|-----|
| MODEL | LED TYPE | NEMA | CRI |
| S900  | C        | 2    | 70  |
|       |          | 3    | 80  |
|       | M        | 4    | 90  |
|       |          | 5    |     |
|       |          | 6    |     |
|       |          |      |     |

| A                  | B | C | D |
|--------------------|---|---|---|
| <b>S900-C-3-80</b> |   |   |   |

EXAMPLE MODEL NUMBER

## GENERAL SAFETY WARNINGS



*Please call Sportsbeams Customer Service at 888.905.6680 for any questions or concerns.*

### ⚠ WARNING ⚠



1. All electrical work must conform to the National Electric Code (NEC) and all applicable local codes and ordinances.
2. Sportsbeams lighting should only be installed by qualified personnel. Please ensure that you have verified the safety of any existing power distribution systems before beginning installation. Failure to follow Operating Instructions may lead to death, Severe Injury, or Property Damage.

### ⚠ WARNING ⚠



Turn off power before performing any electrical or control work. **FAILURE TO FOLLOW THIS WARNING MAY LEAD TO DEATH, SEVERE INJURY, OR PROPERTY DAMAGE.**

**DO NOT** make or alter any open holes in the luminaire. Do not modify the luminaire.

### ⚠ WARNING ⚠



Follow all applicable safety procedures and use Personal Protective Equipment such as hardhats, safety glasses, reflective vests, electrical safety gloves, fall protection equipment and safety toe boots during the installation, operation, and maintenance of the luminaire. **FAILURE TO FOLLOW THIS WARNING MAY LEAD TO DEATH, SEVERE INJURY, OR PROPERTY DAMAGE.**

**NEVER** Risk eye injury! Eye protection is required at all times during the installation, operation, and maintenance of the luminaire. The high intensity light produced by the luminaire can cause severe damage to the eye if viewed directly at close range. Avoid being in front of a luminaire that is on or wear suitable light blocking protective eyewear such as welding goggles. Store luminaires in a clean, dry place, protected from dirt, water, and sunlight.

**THIS PRODUCT MUST BE INSTALLED IN ACCORDANCE WITH THE APPLICABLE INSTALLATION CODE BY A PERSON FAMILIAR WITH THE CONSTRUCTION AND OPERATION OF THE PRODUCT AND THE HAZARDS INVOLVED**

**CE PRODUIT DOIT ÊTRE INSTALLÉ SELON LE CODE D'INSTALLATION PERTINENT, PAR UNE PERSONNE QUI CONNAÎT BIEN LE PRODUIT ET SON FONCTIONNEMENT AINSI QUE LES RISQUES INHÉRENTS**

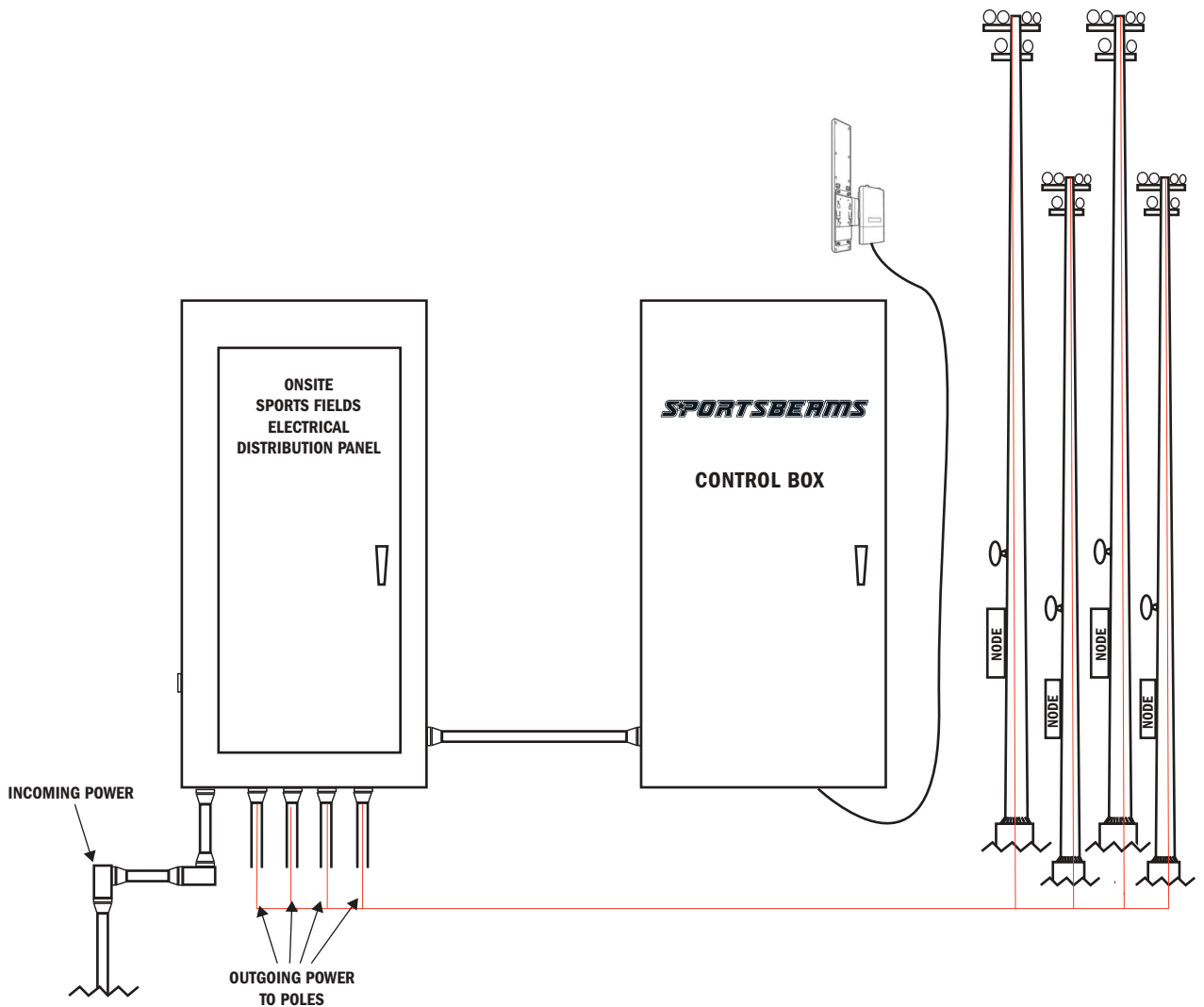
**Overview:**

Sportsbeams can provide a proposed panel summary that calculates the total electrical load for a field or entire site and provides a recommended breaker size per circuit.

Power from each circuit should be delivered to the power distribution box mounted on a pole or at a specific location. Each fixture is then wired to individual breakers inside power distribution control box provided by Sportsbeams.

**Note:**

Setting up network services for lighting control is beyond the scope of this user manual. This service is typically performed by Sportsbeams during final lighting commissioning. For more information, please visit our website.



**POWER REQUIREMENTS**

*Sportsbeams fixtures always include a driver. While it's possible that another driver may work with our fixture, using any driver besides the one specifically designed and engineered by Sportsbeams will VOID THE WARRANTY on this fixture.*

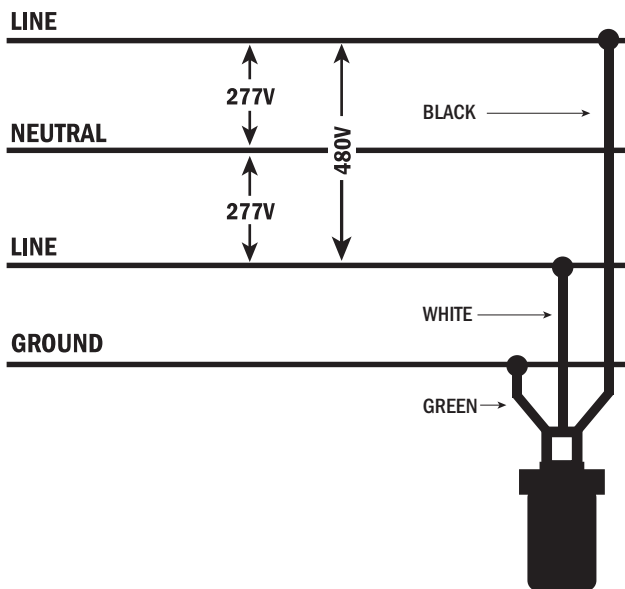
**! WARNING !**

Failure to wire your fixture properly as suggested below can cause permanent damage to the fixture and/or can cause physical harm and even death. Installation should only be performed by a qualified electrician. Please ensure that each fixture is properly grounded. Each fixture must have its own dedicated grounding wire.

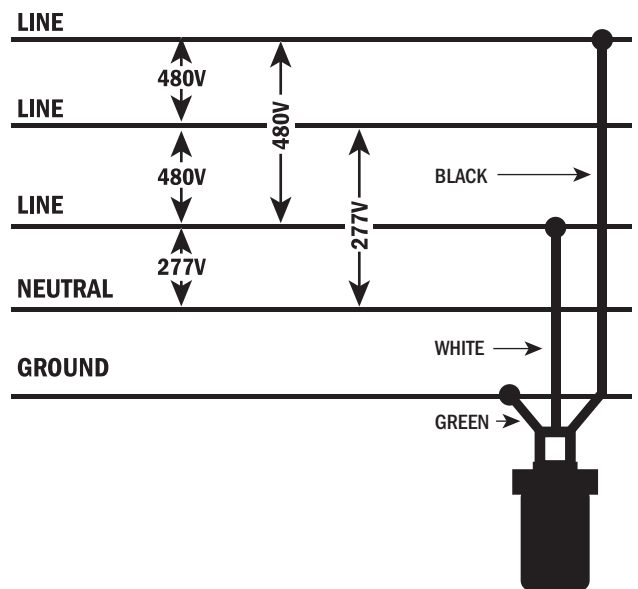
| MINIMUM FUSE RATINGS  |                            |
|-----------------------|----------------------------|
| CIRCUIT VOLTAGE (VAC) | MINIMUM FUSE RATING (AMPS) |
| 110                   | 5                          |
| 240                   | 4                          |
| 277                   | 4                          |
| 480                   | 3                          |

| POWER SUPPLY REQUIREMENTS |       |                       |            |
|---------------------------|-------|-----------------------|------------|
| FIXTURES                  | WATTS | INPUT                 | DC OUTPUT  |
| 1                         | 900   | 176 ~ 305V (OPT 480V) | 48V to 50V |

**Single-Phase: 480V**



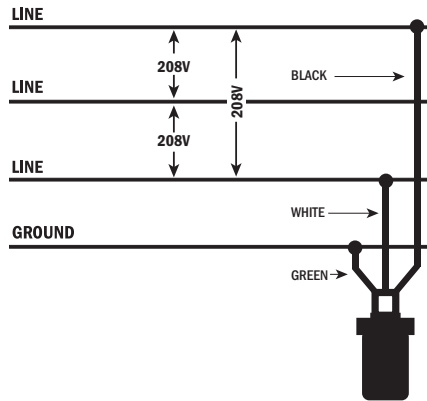
**3-Phase: 480V**



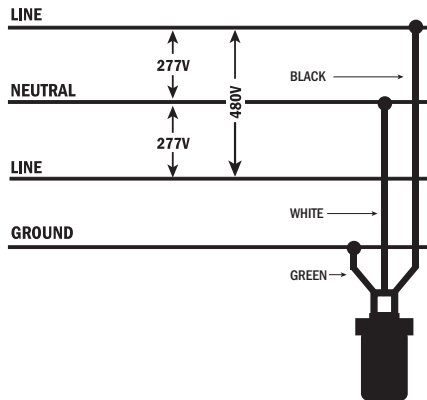
**! WARNING !**

Failure to wire your fixture properly as suggested below can cause permanent damage to the fixture and/or can cause physical harm and even death. Installation should only be performed by a qualified electrician.

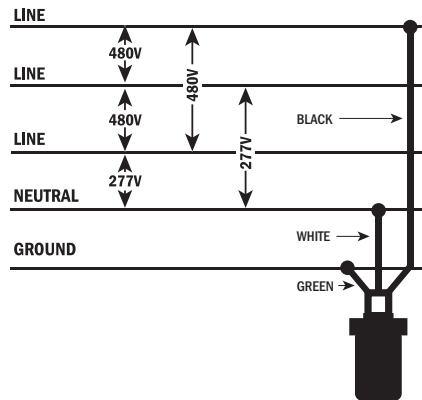
**Three-Phase: 208V**



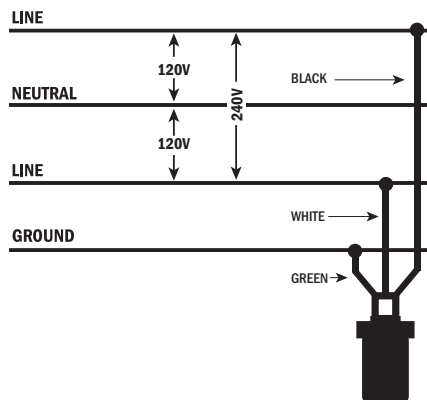
**Single-Phase: 277V**



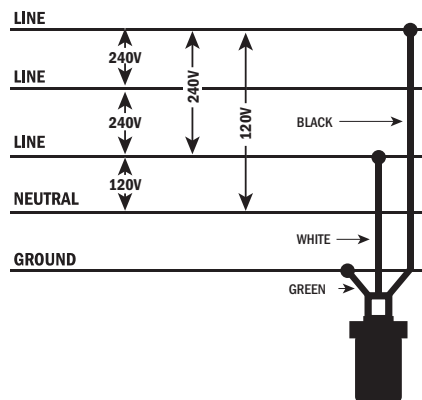
**3-Phase: 277V**



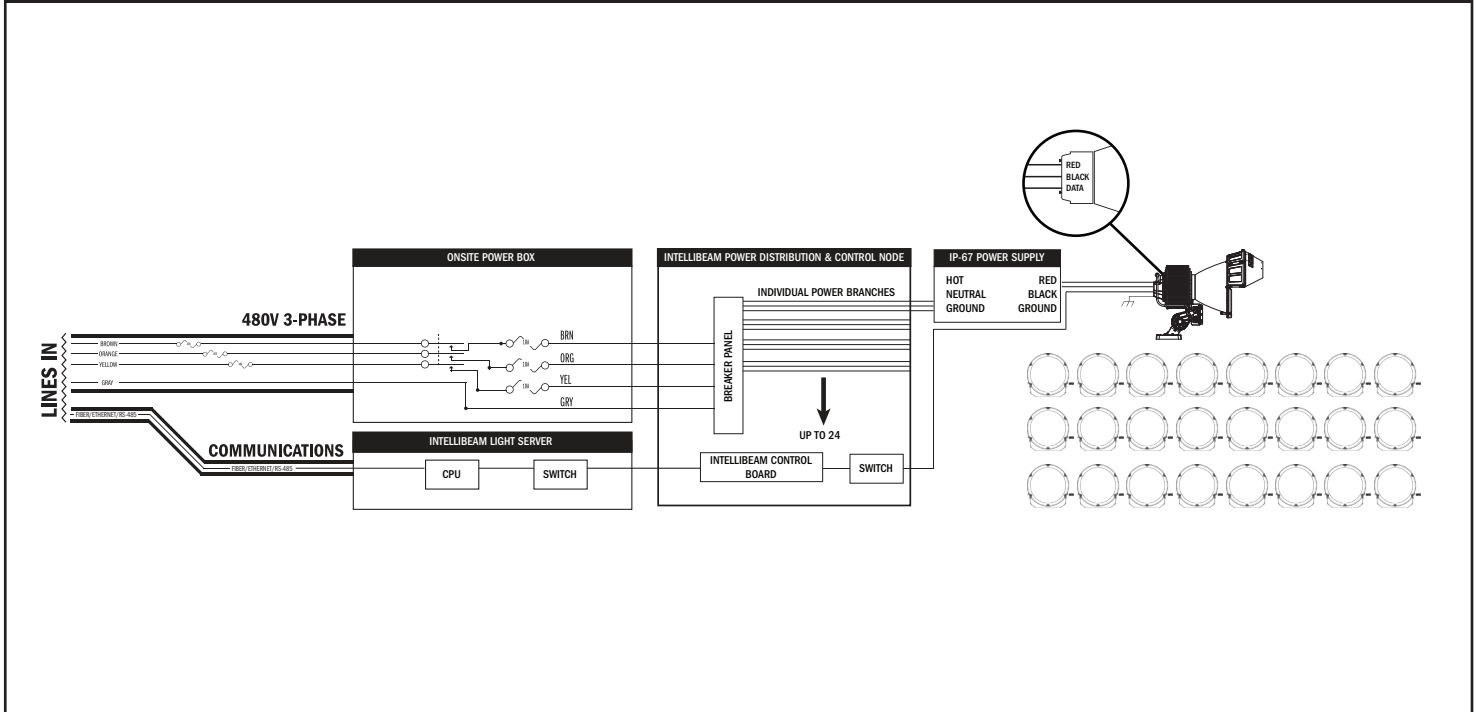
**Single-Phase: 240V**



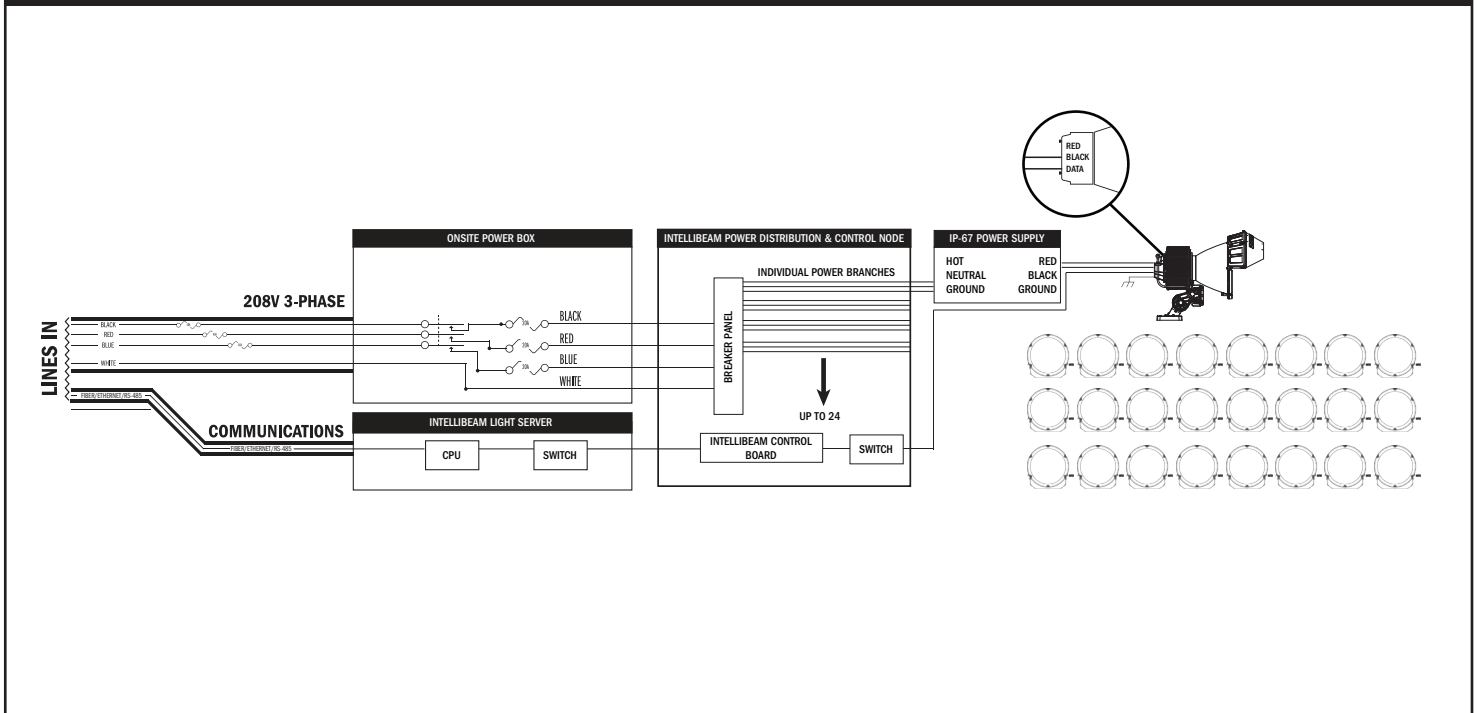
**3-Phase: 240V**



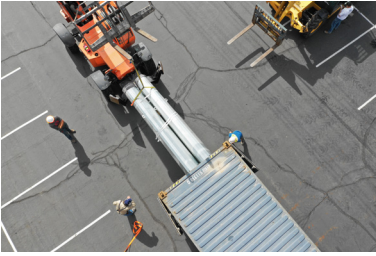
**480V 3-Phase**



**208V 3-Phase**







The poles will arrive on site in a container. They should be pulled out part-way with a fork lift and then pulled out the rest of the way with second fork lift. PLEASE NOTE: Containers cannot be dropped on site and will need to be unloaded upon arrival.



Mark the position on the ground where the pole is to be installed. Clean the surrounding area, ensuring that it is free from any debris that might interfere with installation.

Dig the marked position with an auger crane. The depth and width of the excavation must be decided at the design stage according to the steel foundation specifications.



Lift from the top of the steel foundation. Position the steel pole over the excavated hole and insert it slowly until the pole base reaches the bottom of the hole.

**WARNING!**

Ensure that the position of the box mounts are pointed away from the field of play and that the pole is aimed in the proper direction according to the lighting design. If the foundation is aimed incorrectly, the cross arms and lighting fixtures will not be able to be mounted and aimed properly.



Fix the foundation in place by inserting three wooden triangular wedges. Each wedge should be 120 degrees apart.

Use two levels, one on each side of the pole, to ensure the pole is straight. Use the wedge to hold the pole in place.



Fill the excavation around the foundation with mortar up to the level just below the wire access hole on the side of the foundation. The inside of the steel pipe foundation should not be filled.

After completing all wiring according to the site requirements, fill the last part of the foundation with concrete to the top of the black bitumen coating.

If anchor bolts are used, pre-pour concrete base according to the engineering drawings. Ensure anchor bolts are installed correctly with the correct side facing the field.



Align the sections in preparation for assembly. If connecting the pole sections on the ground, use two winches to pull the pieces together. **PLEASE NOTE:** Minimum overlap is 1.5X the larger diameter of both pole sections.



After all fixtures and wiring has been installed, lift the pole into place. This can be accomplished by lifting the pole by a hook at 1/3 up from the bottom of the pole. Use a nylon strap rated at 3 tons or higher.

Lower the pole onto the top plate of the steel foundation. Connect the pole and the top plate with bolts.

**WARNING:** Ensure that the wires do not get trapped between the bolted surfaces.

Sportsbeams fixtures can be mounted on top of a mounting structure or underneath. The mounting structure may be a light pole cross arm, an indoor catwalk bracket, or other structural component that will hold the fixture firmly in place and ensure enough clearance to adjust fixture for the correct beam angle. This fixture is designed to be mounted and aimed in accordance to a proper light design to ensure consistent light coverage.

**⚠ WARNING ⚠**

It is the responsibility of the installer to verify that all proposed mounting structures including poles, cross arms, catwalk brackets, and other mounting structures are certified to support the weight of the fixture, withstand wind loads, and meet all other applicable codes and regulations. FAILURE TO FOLLOW THIS WARNING MAY LEAD TO DEATH, SEVERE INJURY, OR PROPERTY DAMAGE.

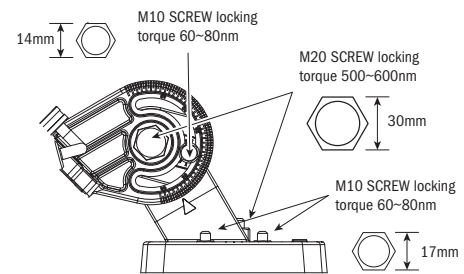
Do not suspend any fixture by electrical or control wires, as these will not support the weight of the fixture, resulting in the potential for the fixture to fall and cause damage or injury. FAILURE TO FOLLOW THIS WARNING MAY LEAD TO DEATH, SEVERE INJURY, OR PROPERTY DAMAGE.



**⚠ WARNING ⚠**

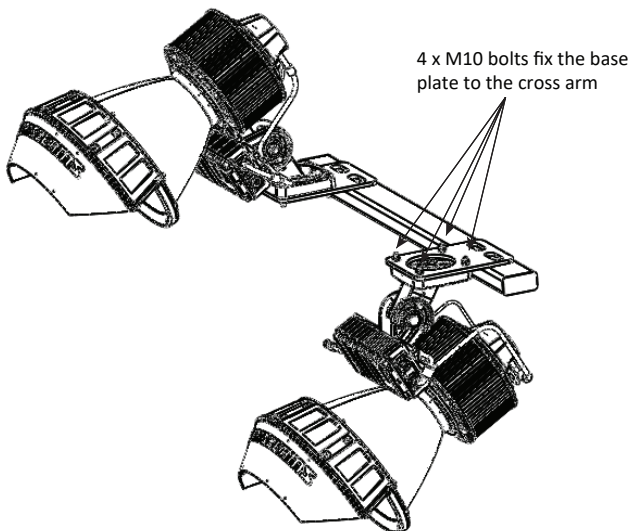
An impact driver may be used on mounting hardware while the power is off, but vibration caused by power tools may damage the fixture. FAILURE TO FOLLOW THIS WARNING MAY LEAD TO FIXTURE INTERNAL DAMAGE AND FAILURE.

**TORQUE SETTINGS**



**ATTACHING FIXTURES**

Fixtures mount to our custom poles or provided adapter plates via four M10 bolts.



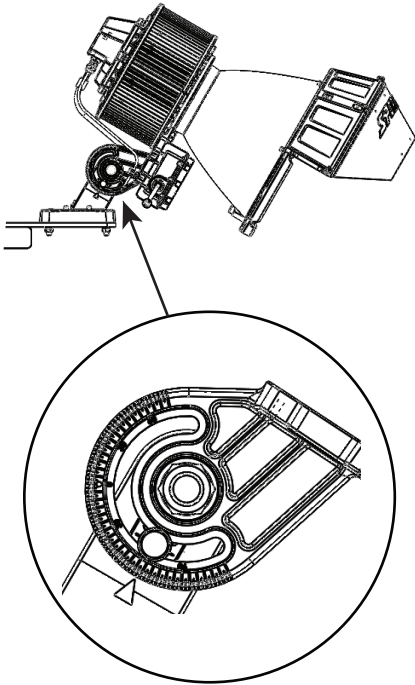
**HARDWARE PROVIDED**

Each fixture will contain the following hardware:

| QTY | DESCRIPTION            | PICTURE |
|-----|------------------------|---------|
| 4   | COURSE THREAD BOLTS    |         |
| 4   | M10 FLAT WASHER        |         |
| 4   | M10 SPRING LOCK WASHER |         |
| 4   | M10 HEX NUT            |         |
| 1   | SAFETY CABLE           |         |

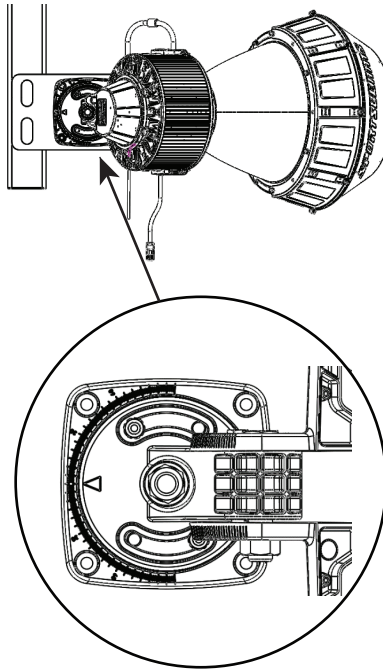
**VERTICAL AIMING**

Lift the fixture until the vertical dial matches the number on the provided aiming diagram and lock the bolts.



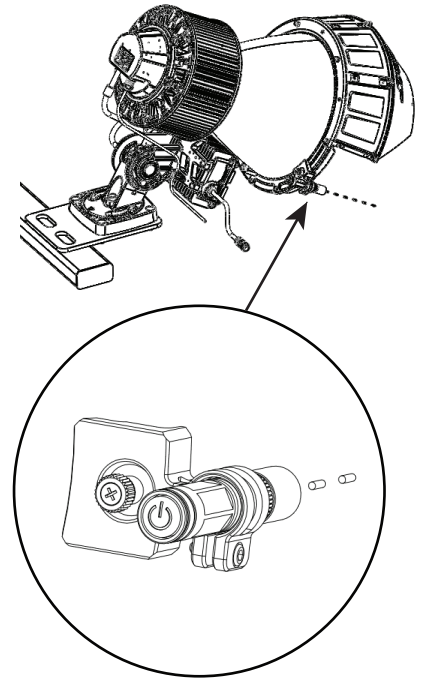
**HORIZONTAL AIMING**

Twist the fixture until the vertical dial matches the number on the provided aiming diagram and lock the bolts.



**LASER AIMING**

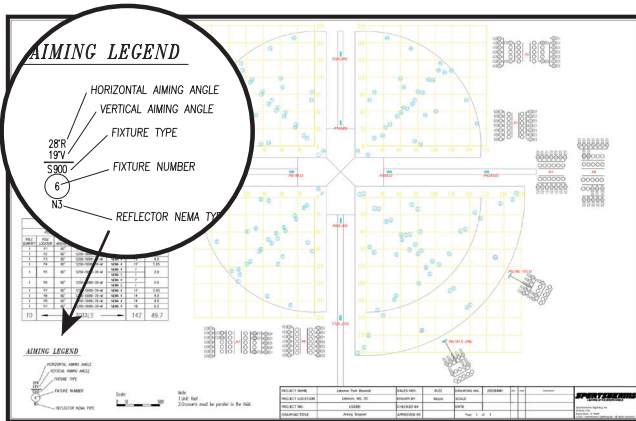
A laser aiming tool can be used to assist with precise aiming for a particular spot on the field.



**PLEASE NOTE:** Horizontal aiming should be performed while standing behind the fixture. Following the aiming diagram precisely should result in lighting output that matches the proposed lighting design.

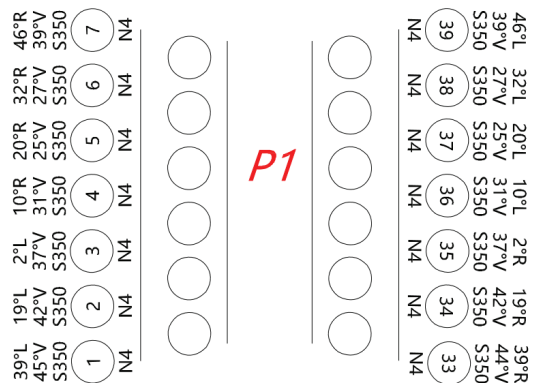
**AIMING DIAGRAM SAMPLE**

Sportsbeams will provide a precise aiming diagram for quick aiming of fixtures before the pole is lifted.



**AIMING DIAGRAM DETAIL**

The aiming diagram will give precise aiming numbers for every single fixture.



**⚠ WARNING ⚠**

Never connect any Sportsbeams fixture to an electrical system that is not grounded. Installing a fixture in an ungrounded electrical system could allow the metal housing to become energized in the event of an electrical short, resulting in the risk of electrical shock for anyone who comes into contact with the fixture. **FAILURE TO FOLLOW THIS WARNING MAY LEAD TO DEATH, SEVERE INJURY, OR PROPERTY DAMAGE.**

Do not suspend any fixture by electrical or control wires, as these will not support the weight of the fixture, resulting in the potential for the fixture to fall and cause damage or injury. **FAILURE TO FOLLOW THIS WARNING MAY LEAD TO DEATH, SEVERE INJURY, OR PROPERTY DAMAGE.**

Each fixture comes with a SOOW style 3C cable with 14AWG annealed stranded bare copper per ASTM B-174 with a minimum temperature range of -40°C to +90°C. Our cable is water resistant, UV rated/sunlight resistant, UL listed and CSA certified for indoor and outdoor use.

Any additional cables used to connect to this fixture must match the specifications listed above.

**⚠ WARNING ⚠**

NEVER connect the bare or green insulation ground wire to the black (HOT) current-carrying or white (NEUTRAL) supply wire, as this could energize the metal housing and create the risk of electrical shock. **FAILURE TO FOLLOW THIS WARNING MAY LEAD TO DEATH, SEVERE INJURY, OR PROPERTY DAMAGE.**

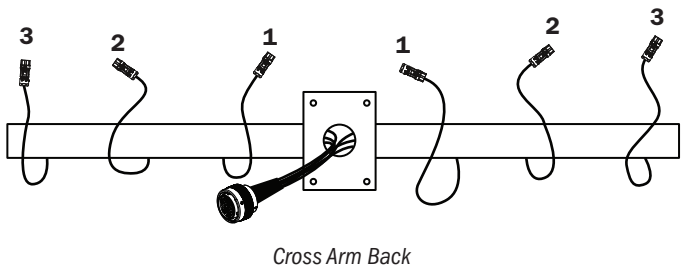
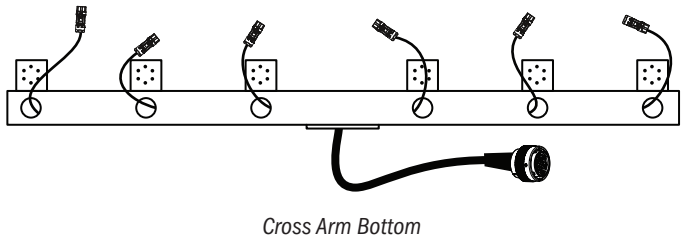
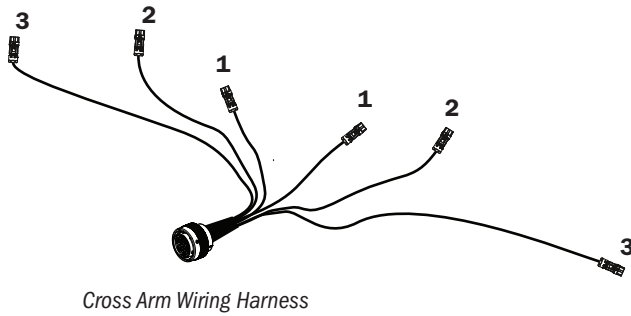
Do not damage or cut the wire insulation (covering) during installation. Do not permit wires to contact any surface having a sharp edge, as this may damage the wire insulation and create the risk of electrical shock. **FAILURE TO FOLLOW THIS WARNING MAY LEAD TO DEATH, SEVERE INJURY, OR PROPERTY DAMAGE.**

**POWER INPUT****⚠ WARNING ⚠**

Failure to wire your fixture properly as suggested can cause permanent damage to the fixture and/or can cause physical harm and even death. Installation should only be performed by a qualified electrician.

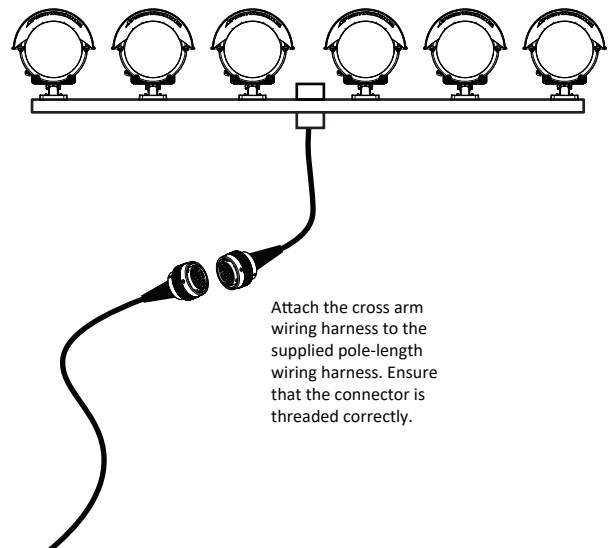
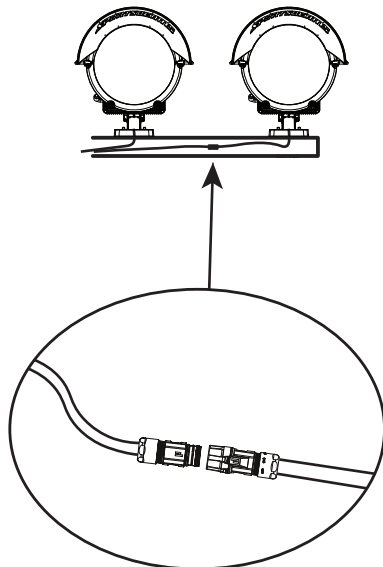
**INSTALLING THE CROSS ARM WIRING HARNESS**

For new installations, we will provide wiring harnesses for both the cross arms and the pole. The cross arm wiring harnesses should be installed using a fish tape, starting from the outside in.

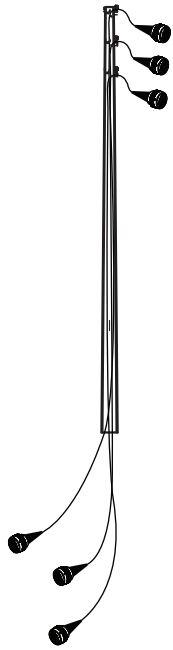


**INSTALLING THE CROSS ARM WIRING HARNESS**

Each fixture has a quick connect on the power cord whip. Simply mate the connectors and ensure a tight, twisted seal for maximum water egress protection.



**INSTALLING THE CROSS ARM WIRING HARNESS**

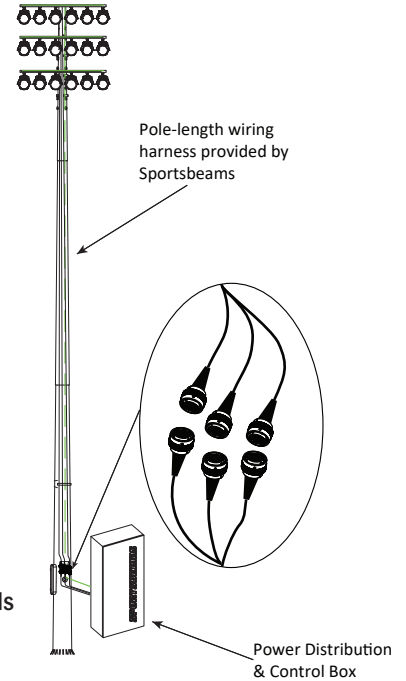


**THHN POLE WHIPS**

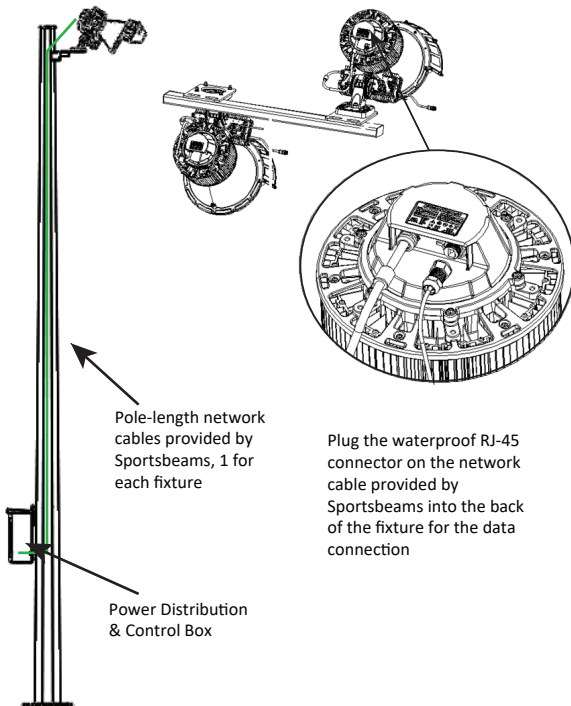
1. We provide a THHN whip for each cross arm
2. The whip will attach to strain relief near the top of pole
3. Ensure the strain relief strap is tied in such a way that there is slack in the wiring harness to the cross arm

**THE POWER DISTRIBUTION BOX**

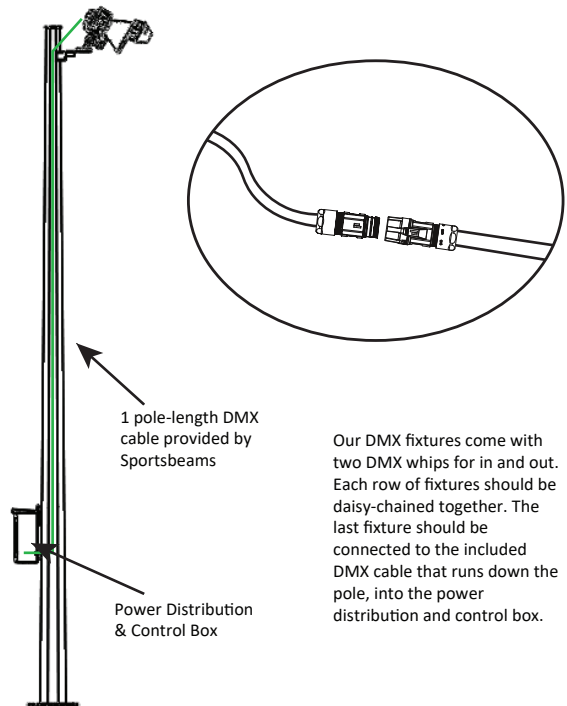
1. Whips drop to the bottom of the pole
2. Distribution box will have whips with mating ends
3. Whips join together at the bottom of the pole



**ETHERNET DATA CABLE**

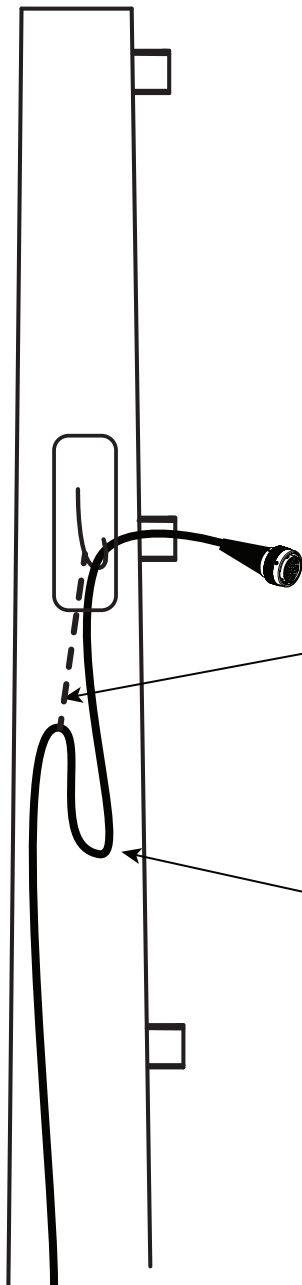


**DMX DATA CABLE**



## INSTALLING THE CROSS ARM WIRING HARNESS

*Wiring harnesses must be secured in the pole with proper strain relief mounting. Failure to do so will result in fixture failure over time as strain on the connectors will eventually cause power failures.*

**STRAIN RELIEF**

1. Attach the strain relief from the wiring harness to the hook directly across from the hand hole.

**SLACK LOOP**

1. Ensure the wiring harness has enough slack to hang loosely from the cross arm connection.



Lifts are expensive. Before raising the poles, please test the fixture connections to ensure that all fixtures are connected properly.

 **STOP!** 

#### TESTING EACH CROSS ARM

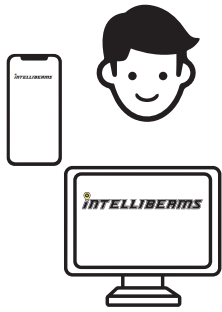
1. Connect the included testing wiring harness to a 240V generator or permanent onsite power
2. Connect the wiring harness to one of the cross arm connectors
3. Apply power to ensure that each fixture is working properly



### PLEASE NOTE

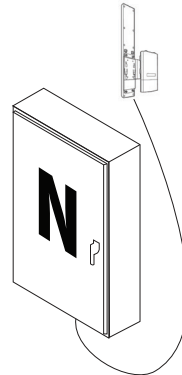
Please keep the lift on site:

- Until all fixtures have been tested for 48 hours
- Customer has confirmed that no aiming alterations are needed
- No additional on-site help is needed from Sportsbeams Lighting, Inc.



**1. USER SENDS COMMAND TO FIXTURE**

**DETAILS:** Using the Intellibeams app or the onsite computer, the user can program and execute different scenes. For example: All on, all off, 75%, dim up, dim down, etc.



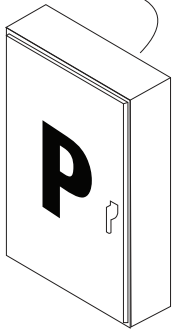
Power Over Ethernet (POE) cable to receiving antenna.

**2. NETWORK CONTROL BOX RECEIVES COMMANDS AND DISTRIBUTES TO FIXTURES**

**DETAILS:** This box sits indoors (press room, ticket booth, etc). 110V power is attached to the top breaker. The routers and DC transformer are mounted on DIN rails along with our Facility DMX computer.



Power Over Ethernet (POE) cable to transmitting dish.

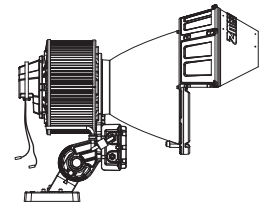


**3. POWER DISTRIBUTION BOX CAN RECEIVE COMMANDS FOR FULL POWER ON/OFF**

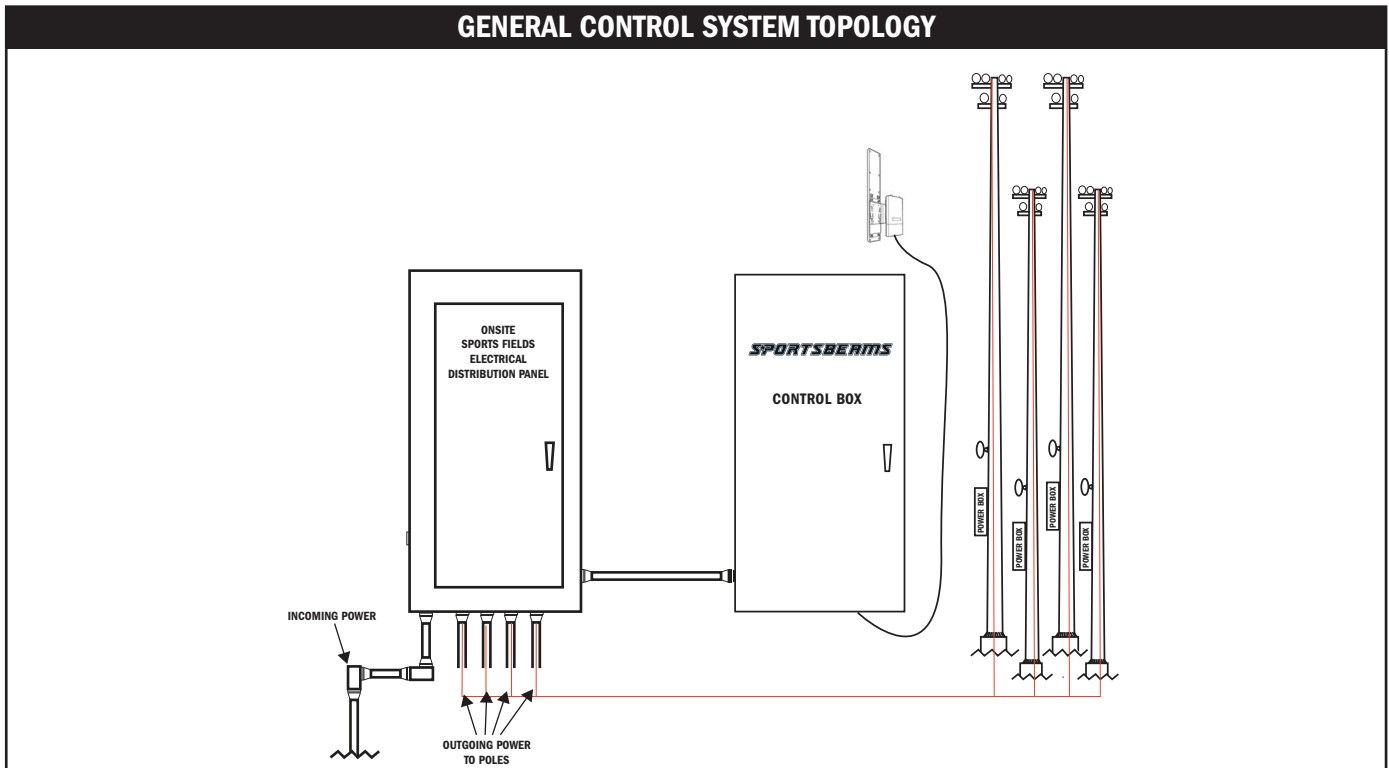
**DETAILS:** While most lighting commands will occur through the Network box, full power control utilizing the individual breakers and digital switches takes place in the Power box.

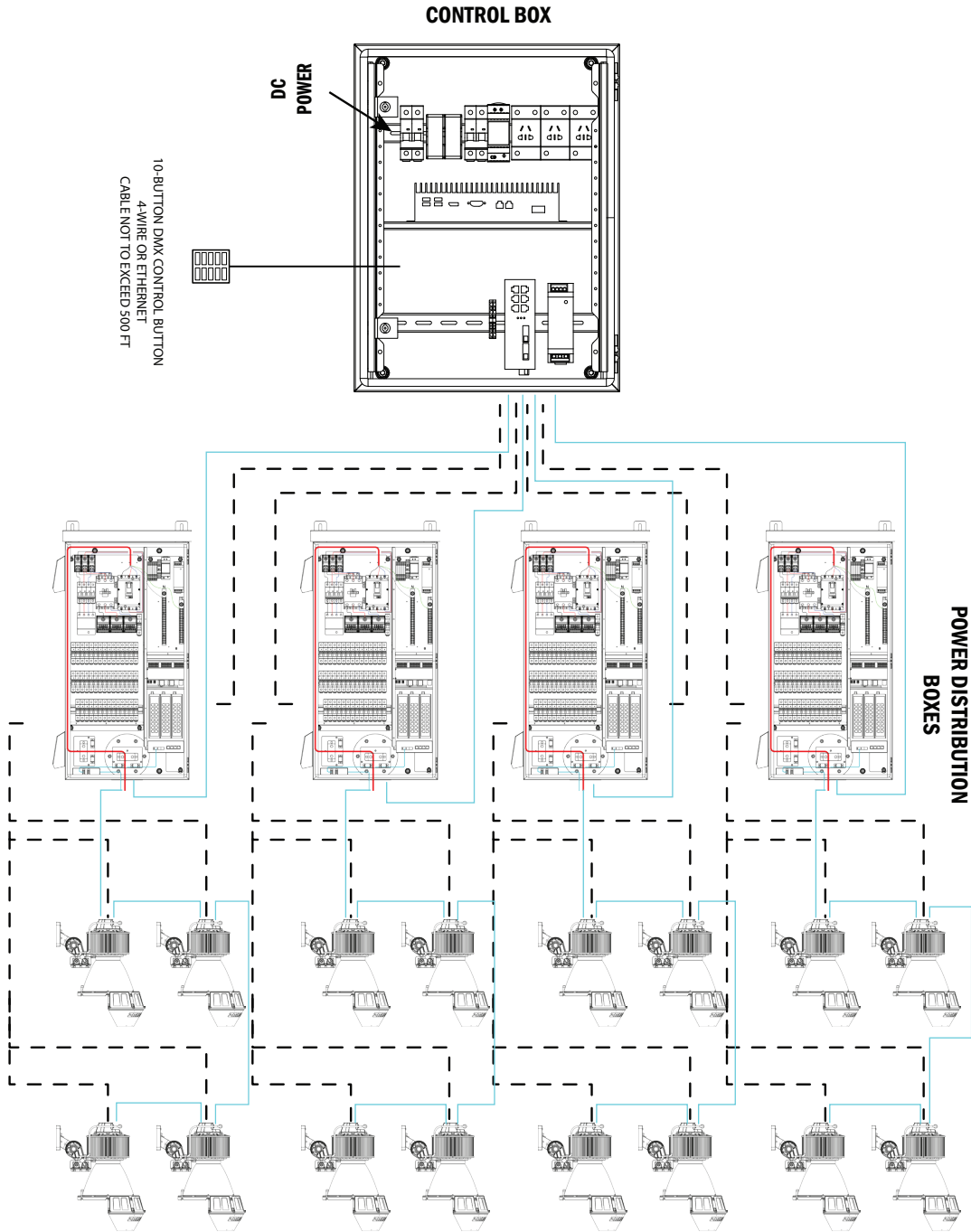
**4. FIXTURE RECEIVES COMMANDS AND RESPONDS INSTANTLY**

**DETAILS:** Each fixture has its own MAC address. If your fixture is an ethernet fixture, an ethernet cable is run from each fixture to the switch inside the control box. If it is a DMX fixture, fixtures are daisy-chained together, with a single cable run down to the control box.

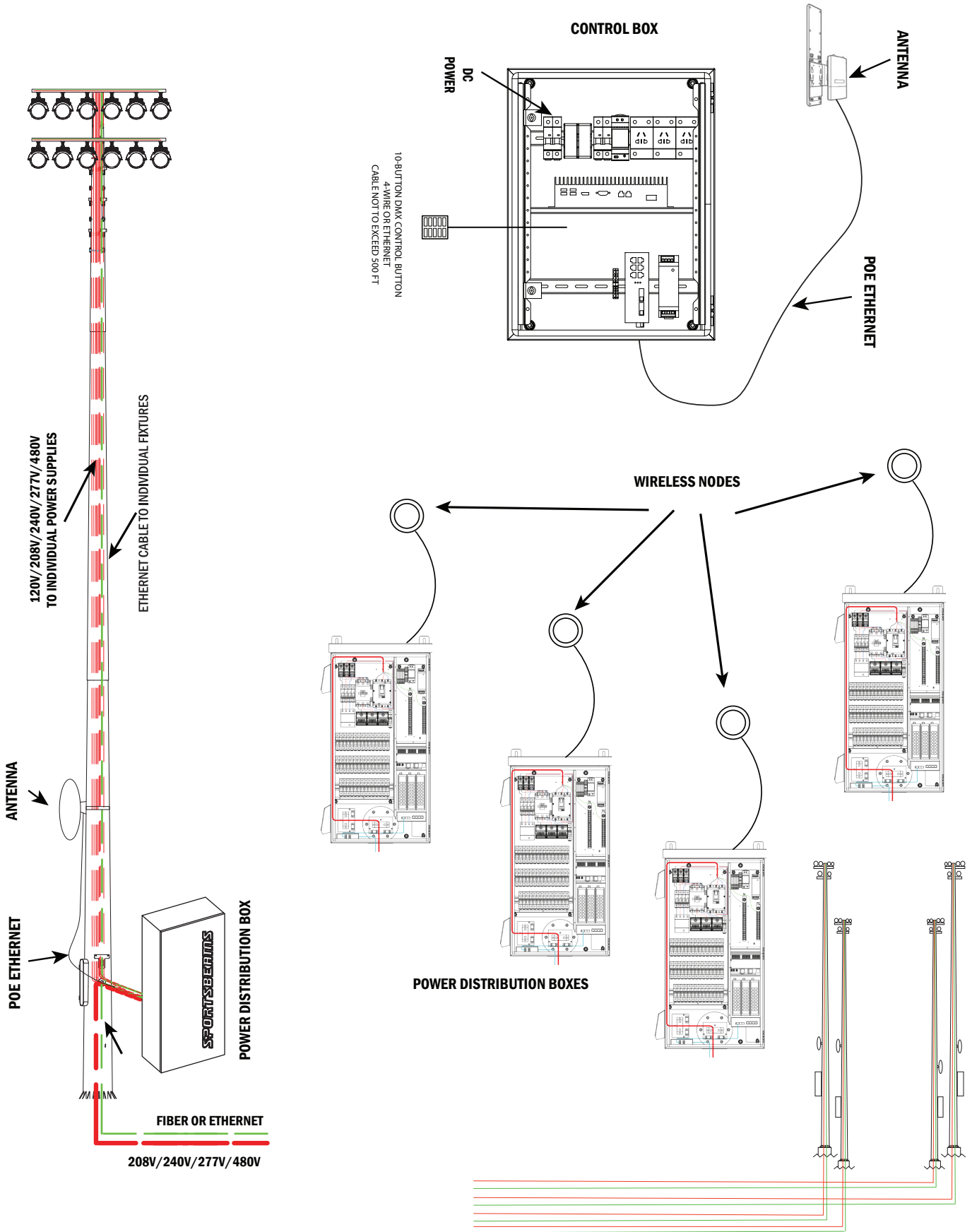


**GENERAL CONTROL SYSTEM TOPOLOGY**



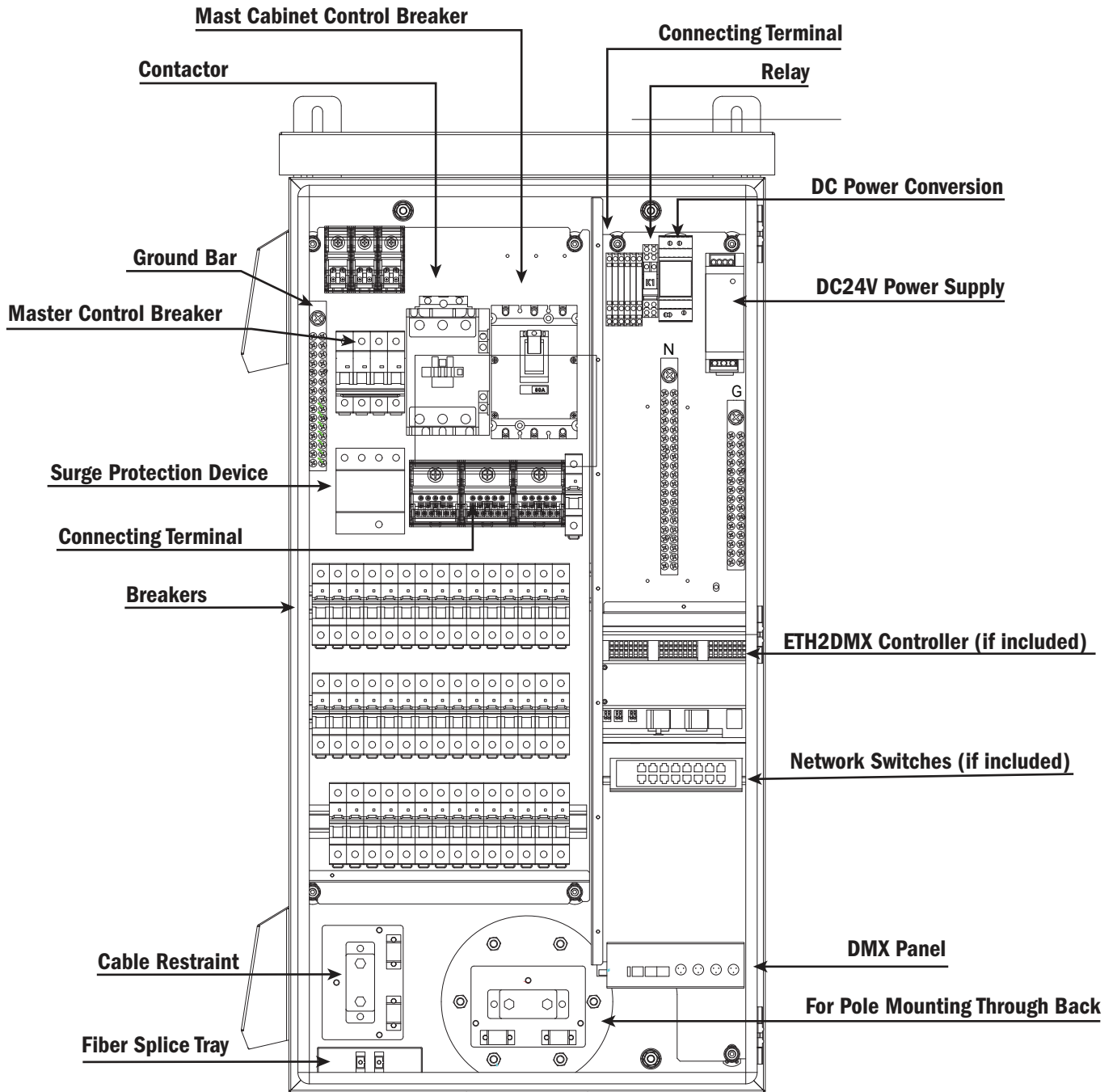


# SPORTSBEAMS WIRELESS OUTDOOR CONTROL TOPOLOGY



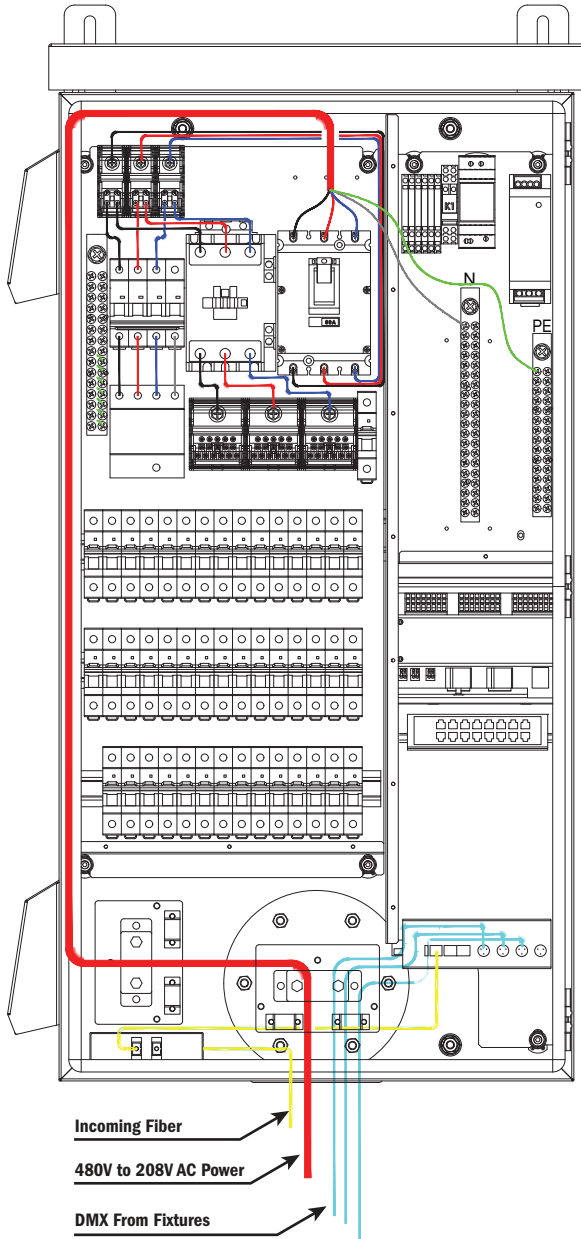
## POWER DISTRIBUTION AND CONTROL BOX COMPONENTS

(TYPICAL 44H" X 22W" X 10.25D")

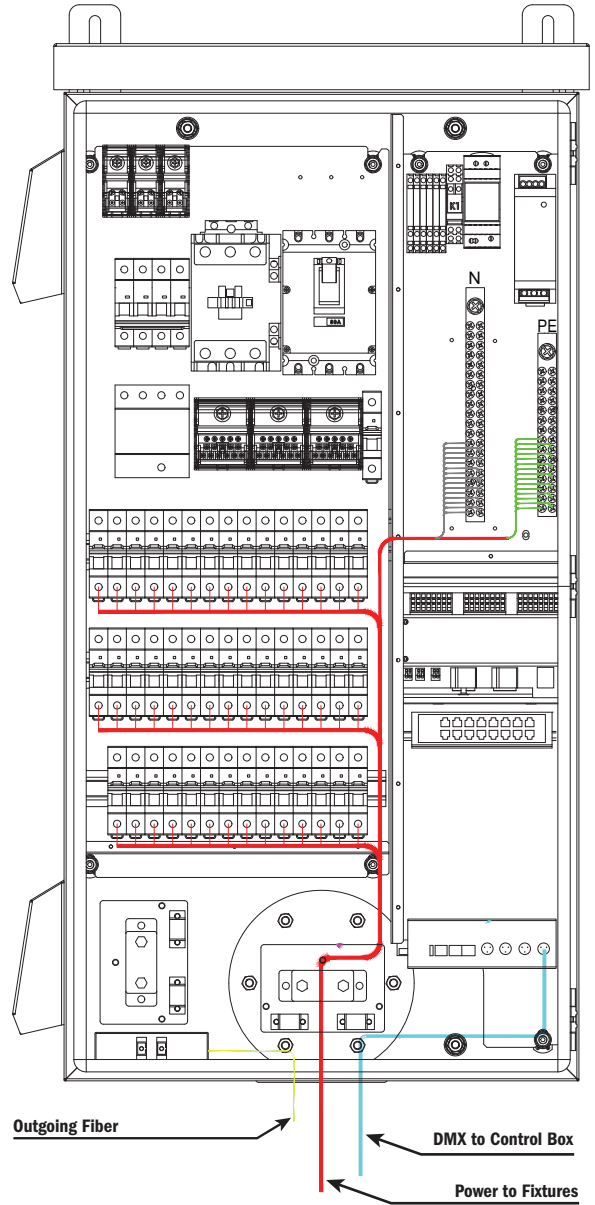


## INCOMING/OUTGOING CONNECTIONS

### Incoming Connections



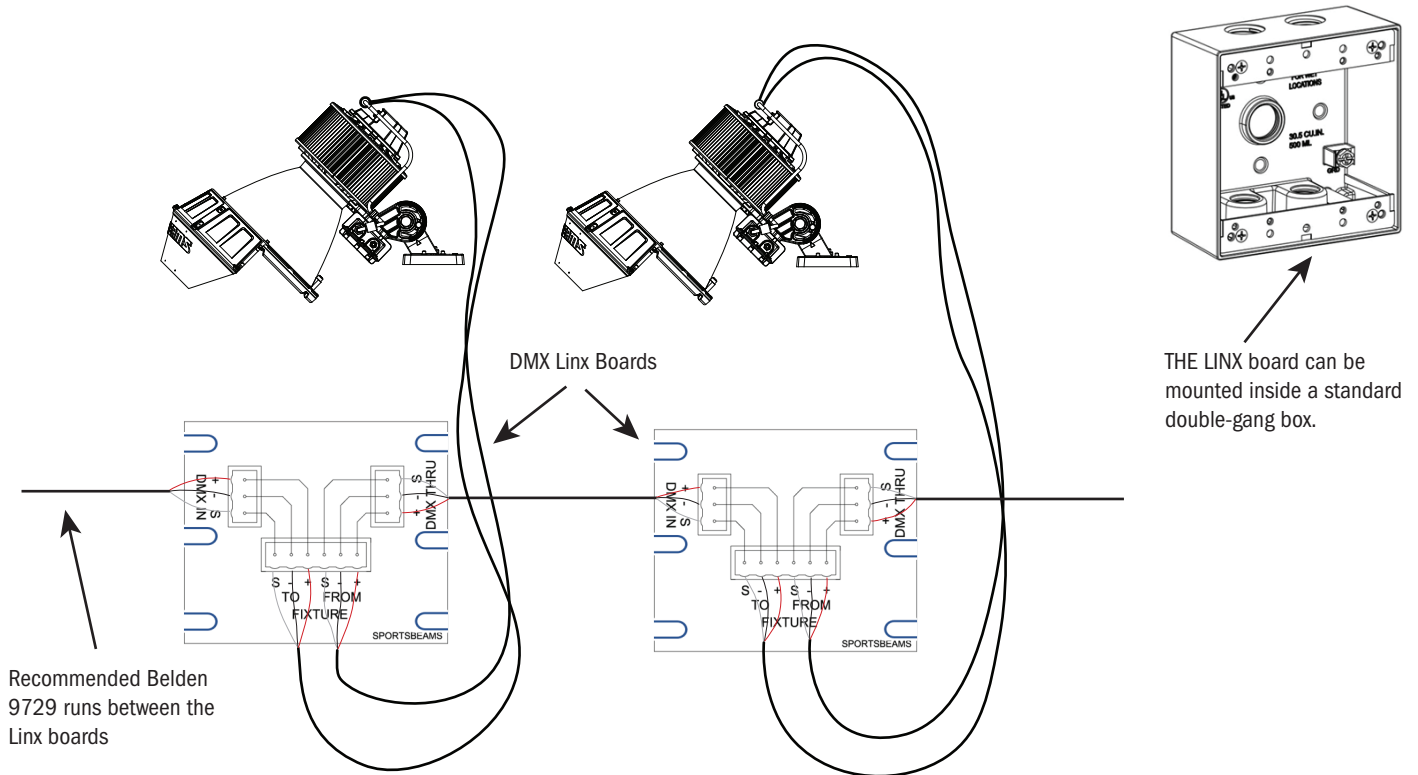
### Outgoing Connections



For lighting designs with individual fixture control, you will need to connect each fixture to its neighbor via the attached in/out DMX cable. When ordering a Sportsbeams DMX-controlled fixture there is an option for bare wire or quick connect. Typically, outdoor installations will require the stainless steel IP-68 DMX quick connects. For indoor installations, especially where fixtures are further than 10' feet apart, the best option is bare DMX wire that are interconnected via our Intellibeams Linx board.

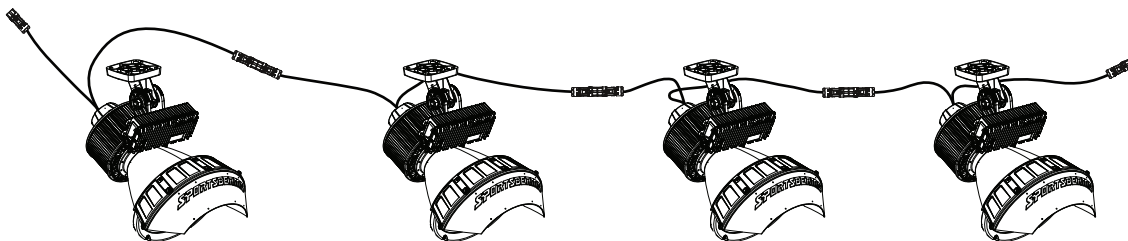
**BARE DMX WIRE**

- 1.** If distance between mounted fixtures is greater than 10 feet, use the Sportsbeams DMX Linx board to daisy-chain the dmx signal up to 24 fixtures.

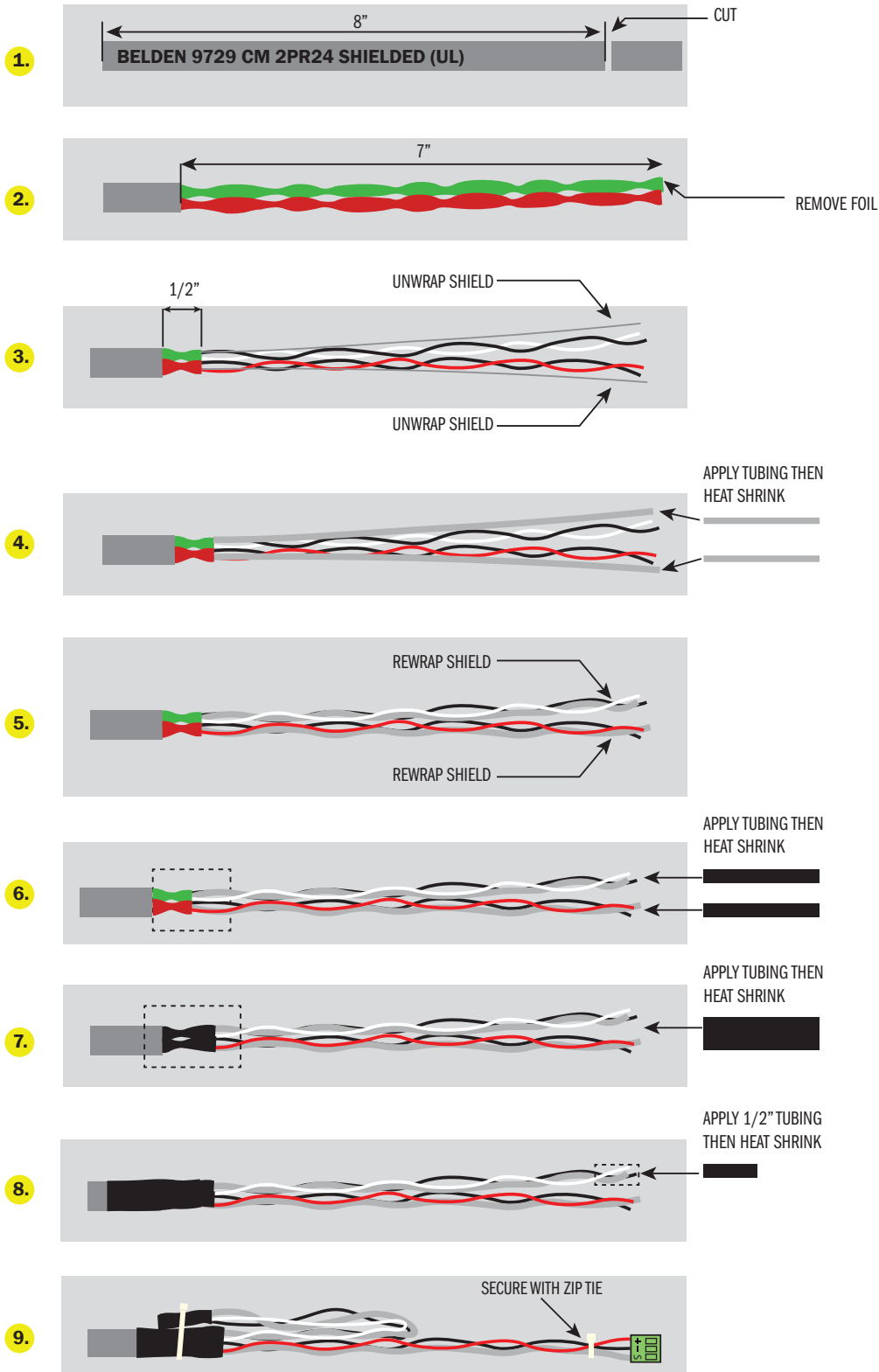


**DMX QUICK CONNECT**

- 2.** If distance between mounted fixtures is less than 10 feet, use the IP-68 3-pin quick connects to daisy-chain the dmx signal up to 24 fixtures.



Connecting our fixtures via our Intellibeams Linx board requires using bare DMX Cable (Belden 9729 recommended, not supplied). It's important to prepare bare DMX wire properly. A single stray strand of copper conductor can interrupt DMX signal and make trouble-shooting very difficult.





This document describes the DMX Channel schema to adjust CCT (color tuning white) and HSI (full color RGB).

| CCT     |         |               | HSI     |         |               |
|---------|---------|---------------|---------|---------|---------------|
| CHANNEL | VALUE   | FUNCTION      | CHANNEL | VALUE   | FUNCTION      |
| 1       | 0 ~ 255 | CCT           | 1       | 0       | CCT           |
| 2       | 0 ~ 255 | CCT INTENSITY | 2       | 0       | CCT INTENSITY |
| 3       | 0       | RESERVED      | 3       | 0       | RESERVED      |
| 4       | 0       | RESERVED      | 4       | 0 ~ 255 | HUE           |
| 5       | 0       | RESERVED      | 5       | 0 ~ 255 | SATURATION    |
| 6       | 0       | RESERVED      | 6       | 0 ~ 255 | INTENSITY     |
| 7       | 32 ~ 63 | CCT MODE      | 7       | 0 ~ 31  | HSB MODE      |

#### CCT EXAMPLE

To tune the Chromabeams fixture to a bright white, the channels and values would be as follows:

| CCT (5700K) |       |               |
|-------------|-------|---------------|
| CHANNEL     | VALUE | FUNCTION      |
| 1           | 90    | CCT           |
| 2           | 255   | CCT INTENSITY |
| 3           | 0     | RESERVED      |
| 4           | 0     | RESERVED      |
| 5           | 0     | RESERVED      |
| 6           | 0     | RESERVED      |
| 7           | 45    | CCT MODE      |

#### HSI EXAMPLE

To tune the Chromabeams fixture to green, the channels and values would be as follows:

| HSI (GREEN) |       |               |
|-------------|-------|---------------|
| CHANNEL     | VALUE | FUNCTION      |
| 1           | 0     | CCT           |
| 2           | 0     | CCT INTENSITY |
| 3           | 0     | RESERVED      |
| 4           | 80    | HUE           |
| 5           | 255   | SATURATION    |
| 6           | 255   | INTENSITY     |
| 7           | 0     | HSB MODE      |

## GENERAL STATEMENTS

- Sportsbeams Lighting, Inc. is a lighting manufacturer. While we have a good understanding of general electrical requirements, we rely on electrical contractors to use their knowledge and expertise to complete a job in a workman-like manner as well as to local code.
- Our products are sold around the world. In order to keep our costs competitive, we do everything we can to limit costly on-site visits. Consequently, it is important that the contractor on the job completes all steps necessary, as outlined below, to ensure that our visits are as productive as possible.
- All jobs bid by Sportsbeams assume that onsite facility power used for the fixtures will be between 208V ~ 277V. 480V power without a neutral will incur additional charges that may not be reflected on the initial quote or purchase order.
- Failure to complete all necessary steps required for a complete installation in a “workman-like” fashion could result in additional charges or will void the warranty.

## PRE-BID

- Sportsbeams will provide a lighting design, supporting documents and other information required to secure a job. This information will be provided by Sportsbeams directly or through their selected manufacturer's representative.

## AFTER RECEIPT OF PURCHASE ORDER

- Receipt of Purchase Order document will need to be signed and returned to Sportsbeams.
- Final pole designs will be submitted to our structural engineers. Each pole drawing will be returned with a base design, with a local stamp.
- If the poles utilize concrete foundations, Sportsbeams will provide anchor bolts and a bolt pattern.
- If the poles utilize a steel pipe foundation, the foundation will be delivered at the same time as the poles.
- Sportsbeams will provide an estimated delivery schedule for all materials.
- For existing infrastructure, Sportsbeams will not be responsible for any issues regarding mounting, clearance, safety, etc.
- Upon request, Sportsbeams will provide a sample fixture to ensure proper fit.

## MATERIALS DELIVERY & HANDOFF

- Once delivered to site, contractor shall take responsibility for all materials including but not limited to:
  - Ensuring packing list matches purchase order quantities

- Storing unused/uninstalled materials in a weather-proof storage unit
- Installing fixtures without damage or breakage

- Sportsbeams is subject to the delivery schedules of our suppliers as well as the variability of US Customs. Any schedule that we provide is based on good faith, but is not guaranteed.

## INSTALLATION

- Sportsbeams will provide continuous technical support by phone as needed.

## CLOSING THE JOB

- Contractor will burn in all lights for a period of 48 hours straight.
- Contractor will ensure that all lights have power and all data connections are verified as required.
- Any lifts or other equipment needed to access the fixtures will be made available on site in order to ensure access for any corrections or adjustments that Sportsbeams will need to make during final commissioning.
- When required, Sportsbeams will send a technician on site for one visit. Before any onsite visit occurs, contractor will assure that all fixtures have power, have been burned in, and all control wiring is connected. In addition, contractor will assure complete access to the fixtures.
- Any parties that need to provide authorization before project is considered complete will be on site at the same time as the Sportsbeams technician.
- Sportsbeams will provide final closing documents including final lighting design, aiming design, pole drawings, warranty, and product specification sheet.
- An installer will be required to be on site while Sportsbeams is present for programming to assist in any electrical issues or re-aiming that needs to take place.

## EXCLUSIONS

The following items are not included in the scope of work. This list is not exhaustive but is representative of materials/services that are explicitly the responsibility of the contractor:

- Low voltage wiring beyond RS-485/ethernet from fixture to control box
- Power wiring beyond cable harness to power distribution box
- Power equipment outside of power distribution Box
- Permits, licenses, bonds, site insurance
- Storage or delivery charges (after products have been delivered to initial site)

## CARE & MAINTENANCE

All luminaires are prepared with a powder-coated finish. The finish on exterior luminaires may weather over time, depending on the environmental conditions at the installation site. Proper care of the luminaires will maintain their performance and appearance. Follow a regular maintenance schedule to retain optimal light output and thermal performance. Remove any dirt, leaves and other foreign debris from the luminaire housing. Wipe the optical lenses with a clean, dry, cotton cloth to remove dust and other contaminants. A non-abrasive polycarbonate cleanser may be used periodically.

### **WARNING**

Do NOT use any abrasives such as car wax, brass cleaners or other polishes or chemicals. These may scratch, remove, or damage the protective coating, allowing moisture and pollutants to come into contact with the aluminum, possibly discoloring or pitting the finish.

### **WARNING**



Turn off power before performing any electrical or control work. **FAILURE TO FOLLOW THIS WARNING MAY LEAD TO DEATH, SEVERE INJURY, OR PROPERTY DAMAGE.**

DO NOT make or alter any open holes in the luminaire. Do not modify the luminaire.

## TROUBLESHOOTING

| SYMPTOM                             | POSSIBLE CAUSE                                  | CORRECTIVE ACTION              |
|-------------------------------------|---|--------------------------------|
| No light output                     | Power is off                                    | Check if circuit power is on   |
|                                     | Bad wire connection                             | Check input wiring connections |
|                                     | Control signal set to 0                         | Verify control signal          |
| Fuse blows or circuit breaker trips | Crossed wires or a supply wire is grounding out | Check wiring connections       |
|                                     | Improperly sized fuse or breaker                | Refer to minimum fuse ratings  |

## CUSTOMER SUPPORT



*Please call Sportsbeams Customer Service at 888.905.6680 for any questions or concerns.*

Sportsbeams Lighting, Inc. (“Sportsbeams”) reserves the right to dictate payment terms by project. Should a project be split among different Purchase Orders, payment terms will be set by Purchase Order. Payment terms will be determined upon receiving the following documents from the customer/buyer:

- W9
- Tax Exemption Form
- Credit Application
- Released Purchase Order

Once the forms above have been supplied, the assigned Sportsbeams Project Manager will notify the customer/buyer of the payment terms for their Purchase Order.

Standard payment terms apply to most, but not all projects. Standard payment terms take place in the intervals outlined below until the total payment amount has been delivered to Sportsbeams. The Standard payment terms will take the following form:

| Standard Payment Terms, Projects with Poles |                       |   |
|---|-----------------------|---|
| Invoice Type                                | Term                  | Comprised Of  |
| Down Payment*                               | Due Upon Receipt      | 100% of Poles, 20% of Remaining Purchase Order Amount |
| Invoice                                     | Net 30, Upon Delivery | 80% of Purchase Order Amount                          |

| Standard Payment Terms, Projects without Poles |                       |                              |
|--|-----------------------|------------------------------|
| Invoice Type                                   | Term                  | Comprised Of                 |
| Down Payment*                                  | Due Upon Receipt      | 20% of Purchase Order Amount |
| Invoice  | Net 30, Upon Delivery | 80% of Purchase Order Amount |

Material lead times do not begin until Down Payment has been received by Sportsbeams. All invoices will incur a 1% late fee for every 30 days they are past due.

This payment agreement (hereinafter referred to as "Agreement") is entered into on \_\_\_\_\_, 2022 (the "Effective Date") by and between \_\_\_\_\_ (hereinafter "Payer" with an address of \_\_\_\_\_ and Sportsbeams Lighting Inc. (hereinafter "Lender") with an address of \_\_\_\_\_

By this contract, Payer agrees to make payments to Lender by the following schedule in exchange for Products and Services rendered in accordance with PO [PO Number]. This payment schedule is enforceable by law, and the methods described below will be used in cases of delinquent payment.

By this agreement, it is agreed that a payment of [Total PO Amount] will be surrendered to the Lender in the intervals outlined below until the total payment amount has been delivered. The payment plan will take the following form:

- First Payment Date, Amount
- Second Payment Date, Amount
- Third Payment Date, Amount

This agreement is binding, and failure to provide payments as per the payment plan above, Lender becomes entitled to immediately declare the remaining amount and present Interest immediately due and payable. Each past due invoice may incur a service charge of 1% per month, not to exceed 12% per annum and insufficient payment and bounced checks will incur a fee of 1%. If the collection of these payments is placed in the hands of an attorney, and/or collection agency, the Payer agrees to pay all expenses, including court costs, legal and administrative expenses, attorney and/or collection agency fees paid or incurred by Sportsbeams or its subsidiaries.

In the event that either party brings any action against the other under this Agreement, hereby submit to the exclusive jurisdiction of the applicable state or federal court located in Travis County, Texas.

This Agreement and any dispute arising hereunder shall be governed by the laws of Texas. If payment should not be delivered at all, Lender will be entitled to seek legal action in the form of filing suit in accordance with and subject to the laws of Texas.

By signing this agreement, all parties agree to the terms as described above. Alterations to this agreement can only be made by both parties and must be placed in writing. Both parties will receive a copy of this agreement and will be responsible for upholding its terms.

Sportsbeams Lighting, Inc.

Payer

By: \_\_\_\_\_

By: \_\_\_\_\_

Name: \_\_\_\_\_

Name: \_\_\_\_\_

Title: \_\_\_\_\_

Title: \_\_\_\_\_

## Warranties and Limitation of Liability

Please refer to [www.sportsbeams.com/warranty](http://www.sportsbeams.com/warranty) for our terms and conditions.



This device complies with part 15 of the FCC Rules. Operation is subject to the following two conditions: (1) This device may not cause harmful interference, and (2) this device must accept any interference received, including interference that may cause undesired operation.

Changes or modifications not expressly approved by the party responsible for compliance could void the user's authority to operate the equipment.

**SPORTSBEAMS**  
LIGHTING UP THE SPORTS WORLD

1.888.905.6680

©2023 Sportsbeams All Rights Reserved